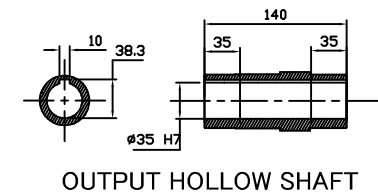
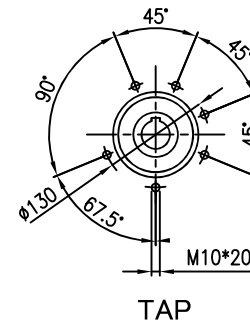
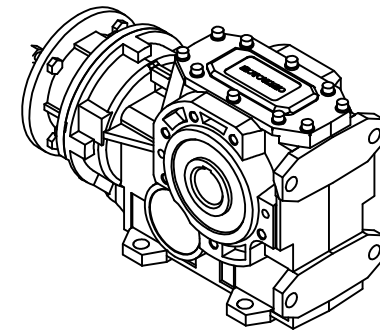
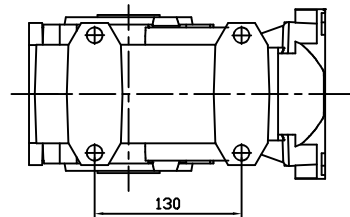
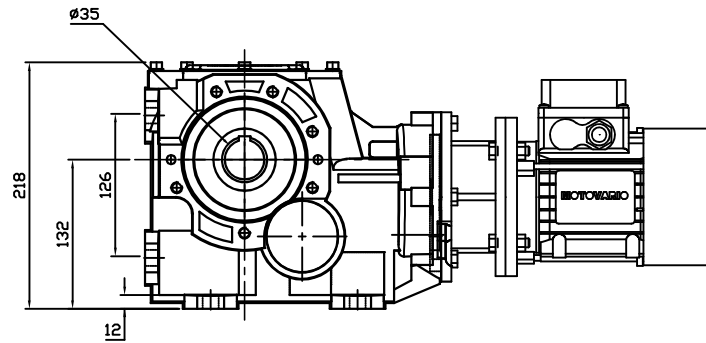
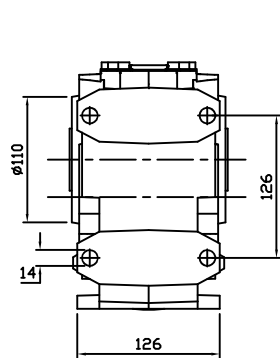
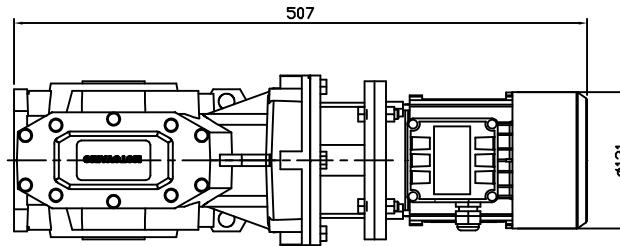


REDUCER SPEC	
MODEL	B063UC
INPUT DIMENSION	IEC 63B5
RATIO	69.16 ~157.42
OUTPUT [rpm]	
OUTPUT TORQUE [Nm]	
WEIGHT [kg]	20.6

MOTOR SPEC	
MODEL	TA/63B5-220/380V
POWER [kW]	0.18
POLE, PHASE	4P, 3PHASE
INPUT [rpm]	1680
BRAKE	NO
WEIGHT [kg]	4.2



PROJECT		MOTOVARIO					
DRAWN	SEO Y.S	DATE		REV	A	SCALE	1:1
CHECKED	KIM J.S	DATE		UNIT	MM	PAGE	-
APPROVED	LEE J.Y	DATE		