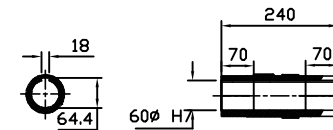
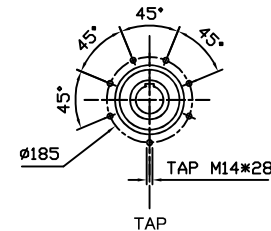
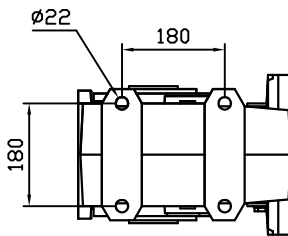
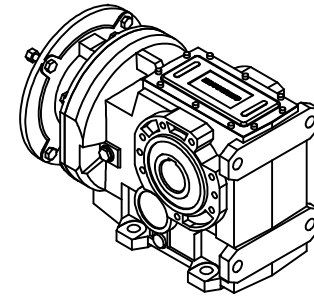
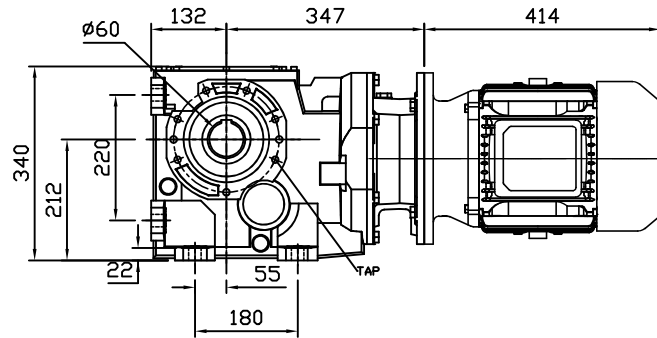
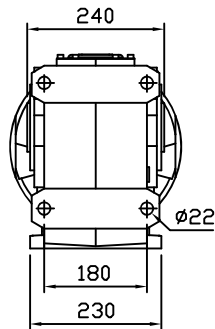


|                    |       |
|--------------------|-------|
| REDUCER SPEC       |       |
| MODEL              | B123  |
| SERVICE FACTOR     | 1.4   |
| RATIO              | 59.36 |
| OUTPUT [rpm]       | 29.5  |
| OUTPUT TORQUE [Nm] | 2187  |
| WEIGHT [kg]        | 81.7  |

|             |             |
|-------------|-------------|
| MOTOR SPEC  |             |
| MODEL       | TE-F 효성 IE3 |
| POWER [kW]  | 7.5         |
| POLE, PHASE | 4P, 3PHASE  |
| INPUT [rpm] | 1750        |
| BRAKE       | NO          |
| WEIGHT [kg] | 102         |



OUTPUT HOLLOW SHAFT

**(주)한국체인모터**

Tel. 032-815-8888 Fax. 815-8020  
www.hcmfa.com

|          |         |           |  |      |    |       |     |
|----------|---------|-----------|--|------|----|-------|-----|
| PROJECT  |         | MOTOVARIO |  |      |    |       |     |
| DRAWN    | SED Y.S | DATE      |  | REV  | A  | SCALE | 1:1 |
| CHECKED  | KIM J.S | DATE      |  | UNIT | MM | PAGE  | -   |
| APPROVED | LEE J.Y | DATE      |  |      |    |       |     |