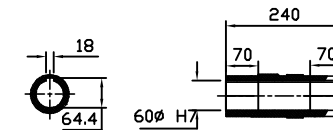
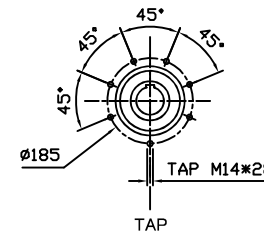
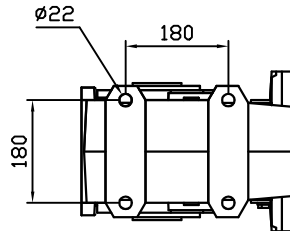
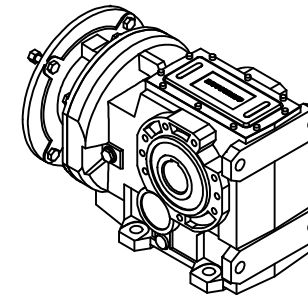
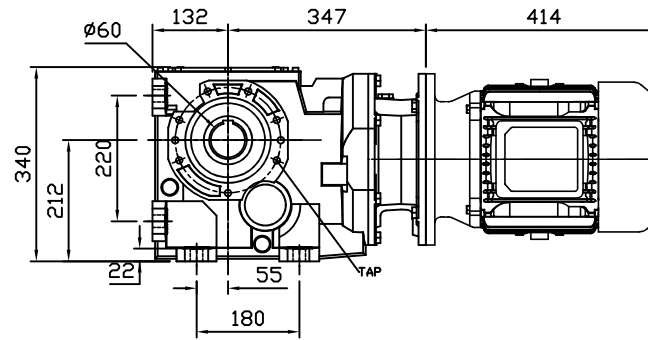
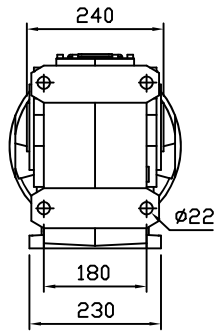


| REDUCER SPEC | |
|--------------------|-------|
| MODEL | B123 |
| SERVICE FACTOR | 2.3 |
| RATIO | 30.79 |
| OUTPUT [rpm] | 56.8 |
| OUTPUT TORQUE [Nm] | 1134 |
| WEIGHT [kg] | 81.7 |

| MOTOR SPEC | |
|-------------|-------------|
| MODEL | TE-F 효성 IE3 |
| POWER [kW] | 7.5 |
| POLE, PHASE | 4P, 3PHASE |
| INPUT [rpm] | 1750 |
| BRAKE | NO |
| WEIGHT [kg] | 102 |



OUTPUT HOLLOW SHAFT

(주)한국체인모터

Tel. 032-815-8888 Fax. 815-8020
www.hcmfa.com

| | | | | | | | |
|----------|---------|-----------|--|------|----|-------|-----|
| PROJECT | | MOTOVARIO | | | | | |
| DRAWN | SED Y.S | DATE | | REV | A | SCALE | 1:1 |
| CHECKED | KIM J.S | DATE | | UNIT | MM | PAGE | - |
| APPROVED | LEE J.Y | DATE | | | | | |
| | | | | | | | |