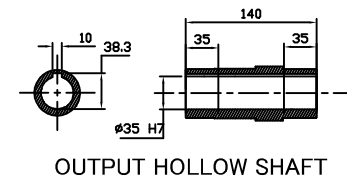
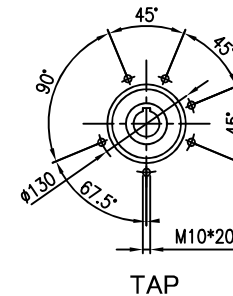
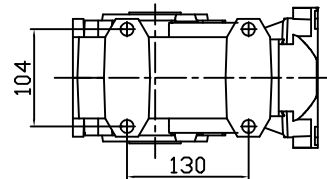
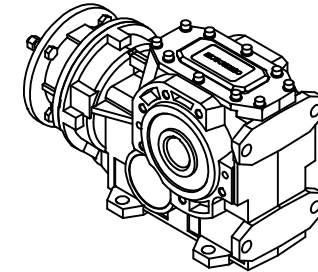
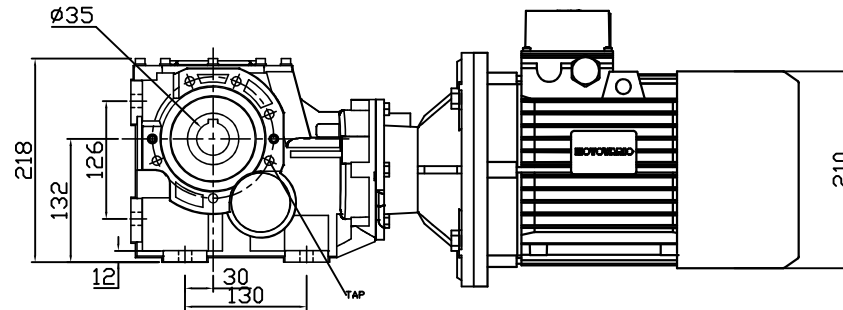
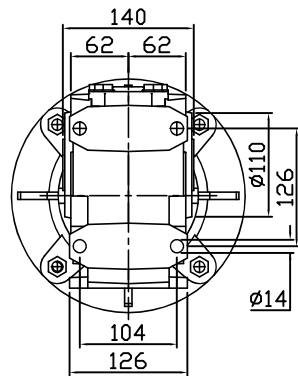


REDUCER SPEC	
MODEL	B063
SERVICE FACTOR	1.0
RATIO	28.03
OUTPUT [rpm]	62
OUTPUT TORQUE [Nm]	551
WEIGHT [kg]	25.9

MOTOR SPEC	
MODEL	TPA/112M4-220/380V
POWER [kW]	4
POLE, PHASE	4P, 3PHASE
INPUT [rpm]	1750
BRAKE	NO
WEIGHT [kg]	35



PROJECT			MOTOVARIO			
DRAWN	SEO Y.S	DATE	REV	A	SCALE	1:1
CHECKED	KIM J.S	DATE	UNIT	MM	PAGE	-
APPROVED	LEE J.Y	DATE	